

# BIONICLE™

LERAHK



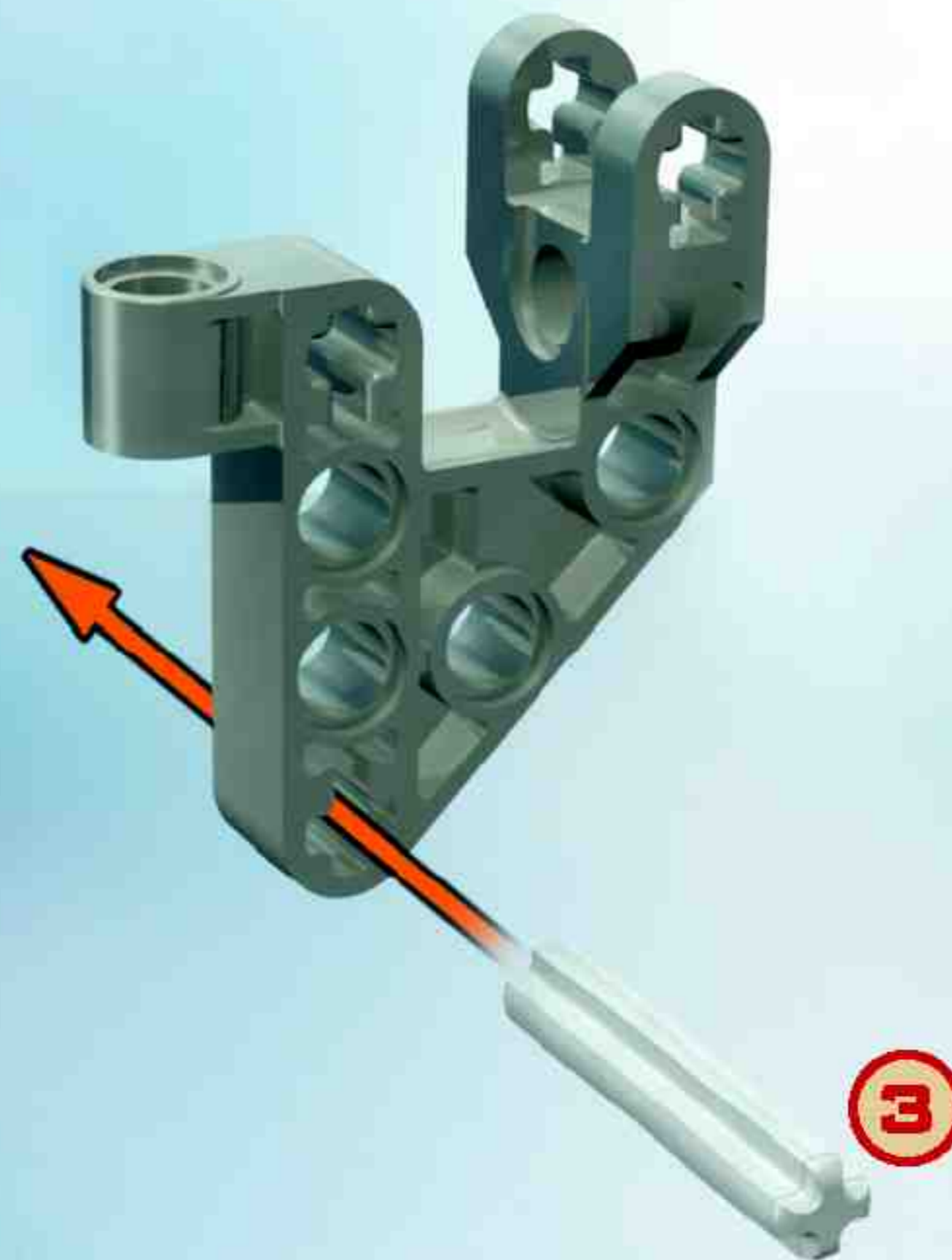
8589



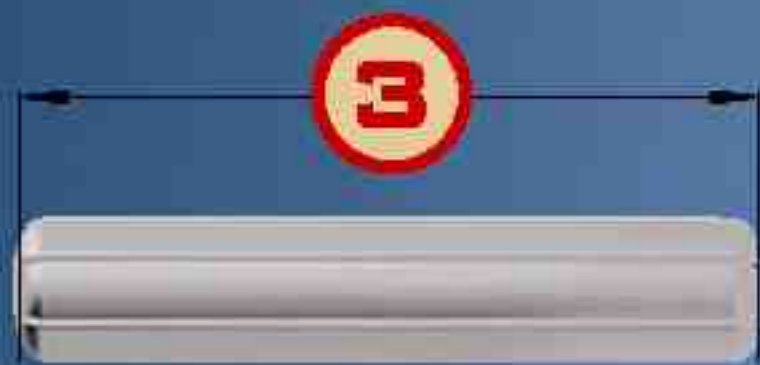
BIONICLE™

[www.bionicle.com](http://www.bionicle.com)

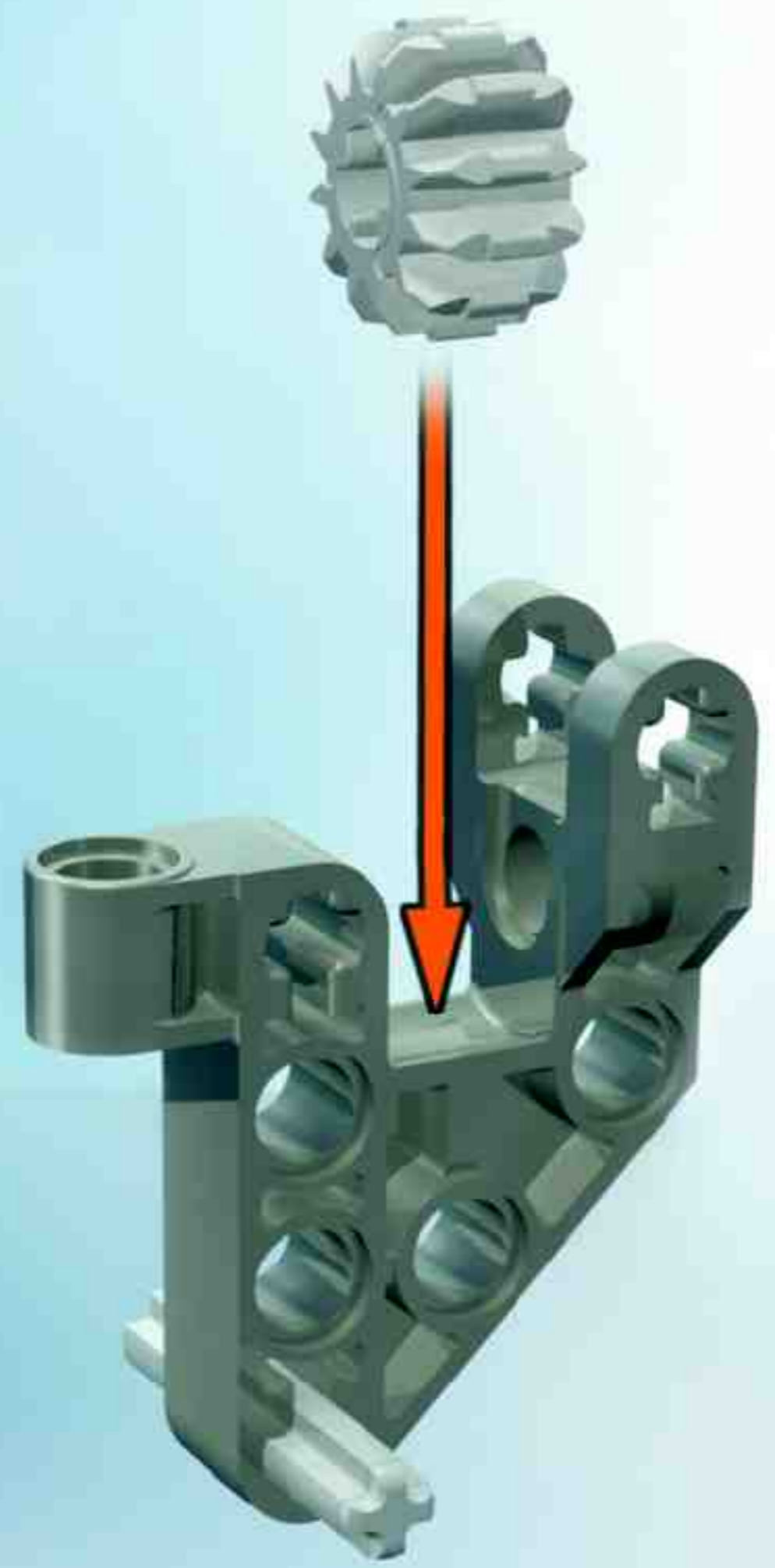
1



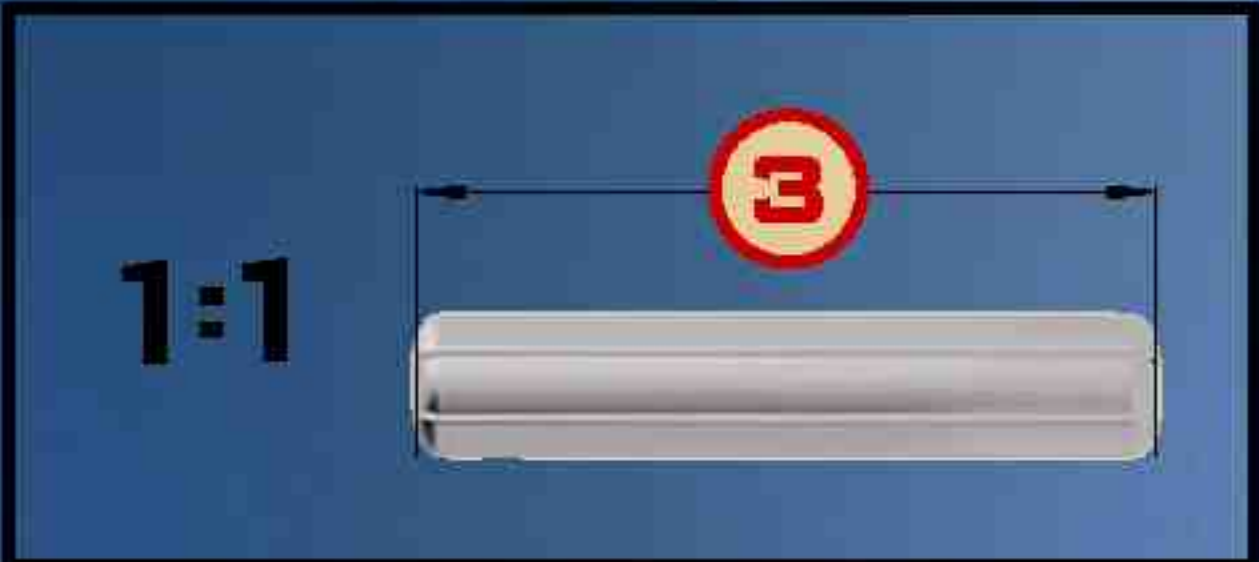
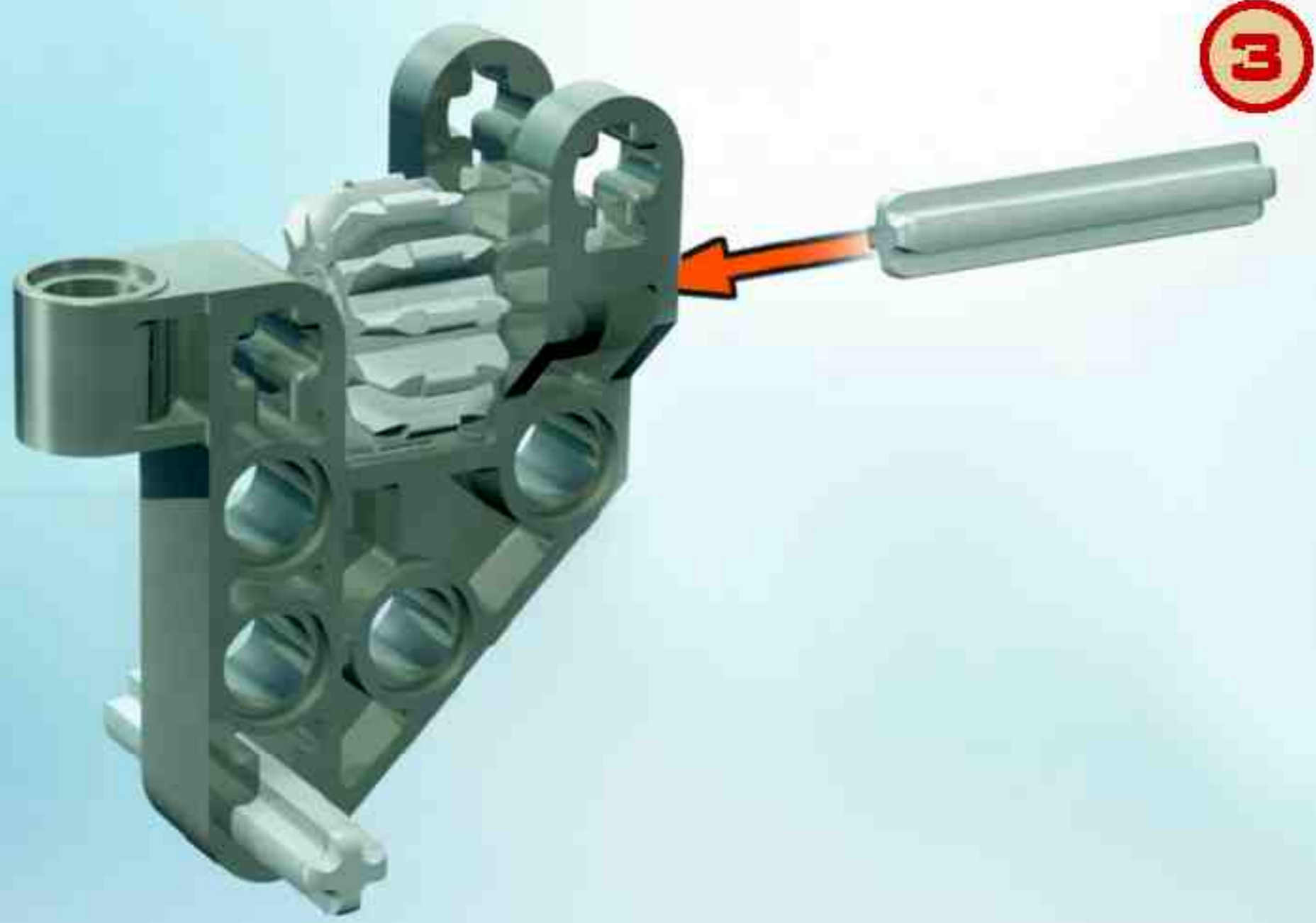
1:1



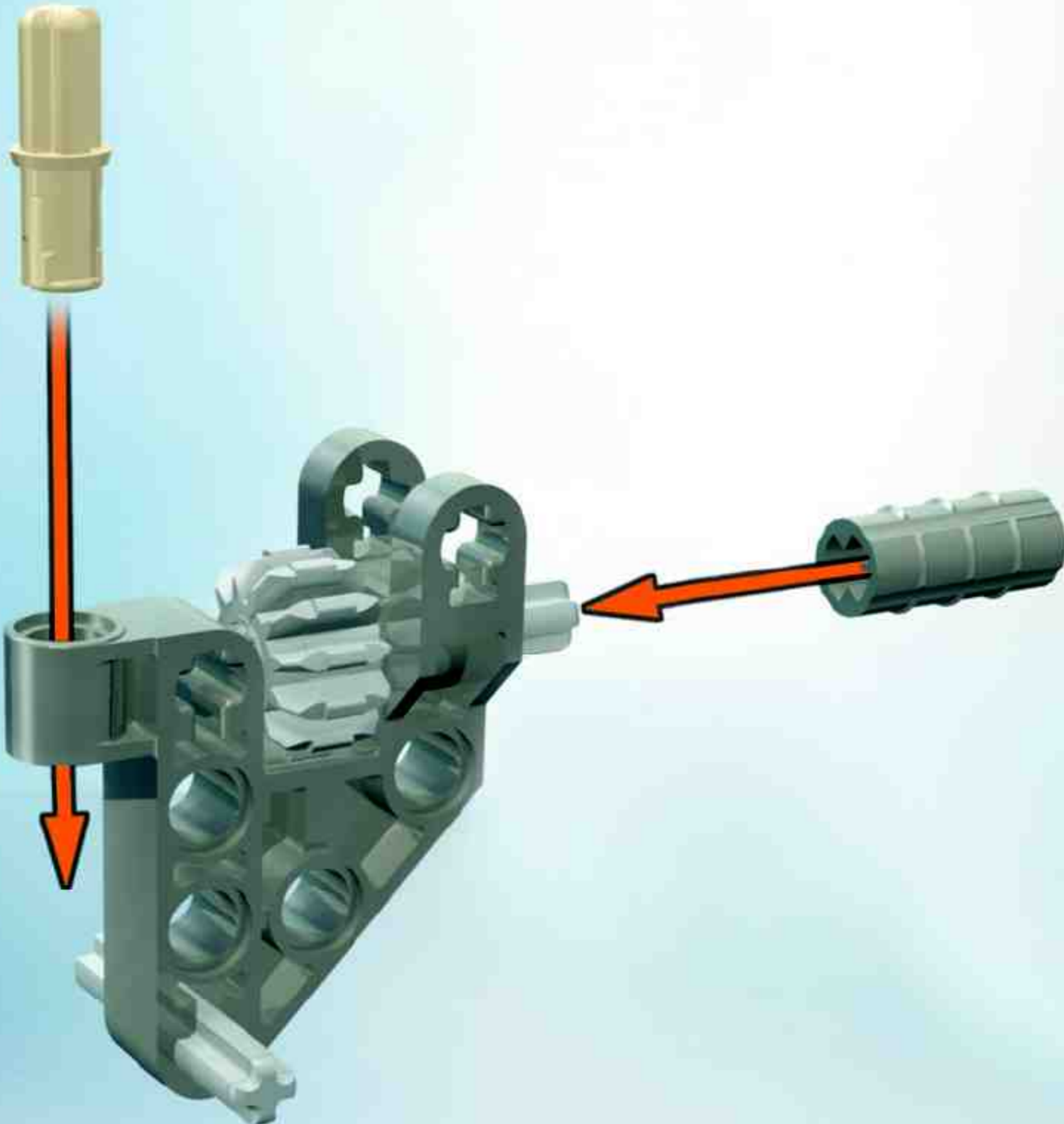
2



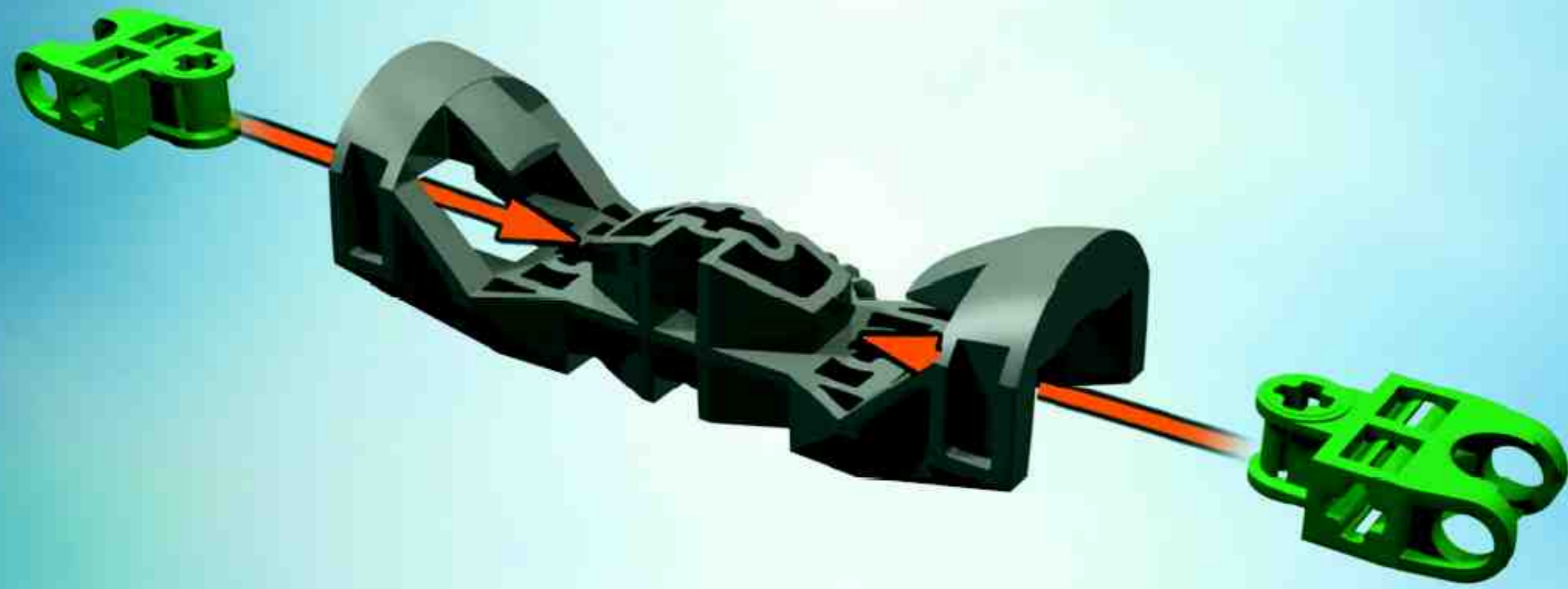
3



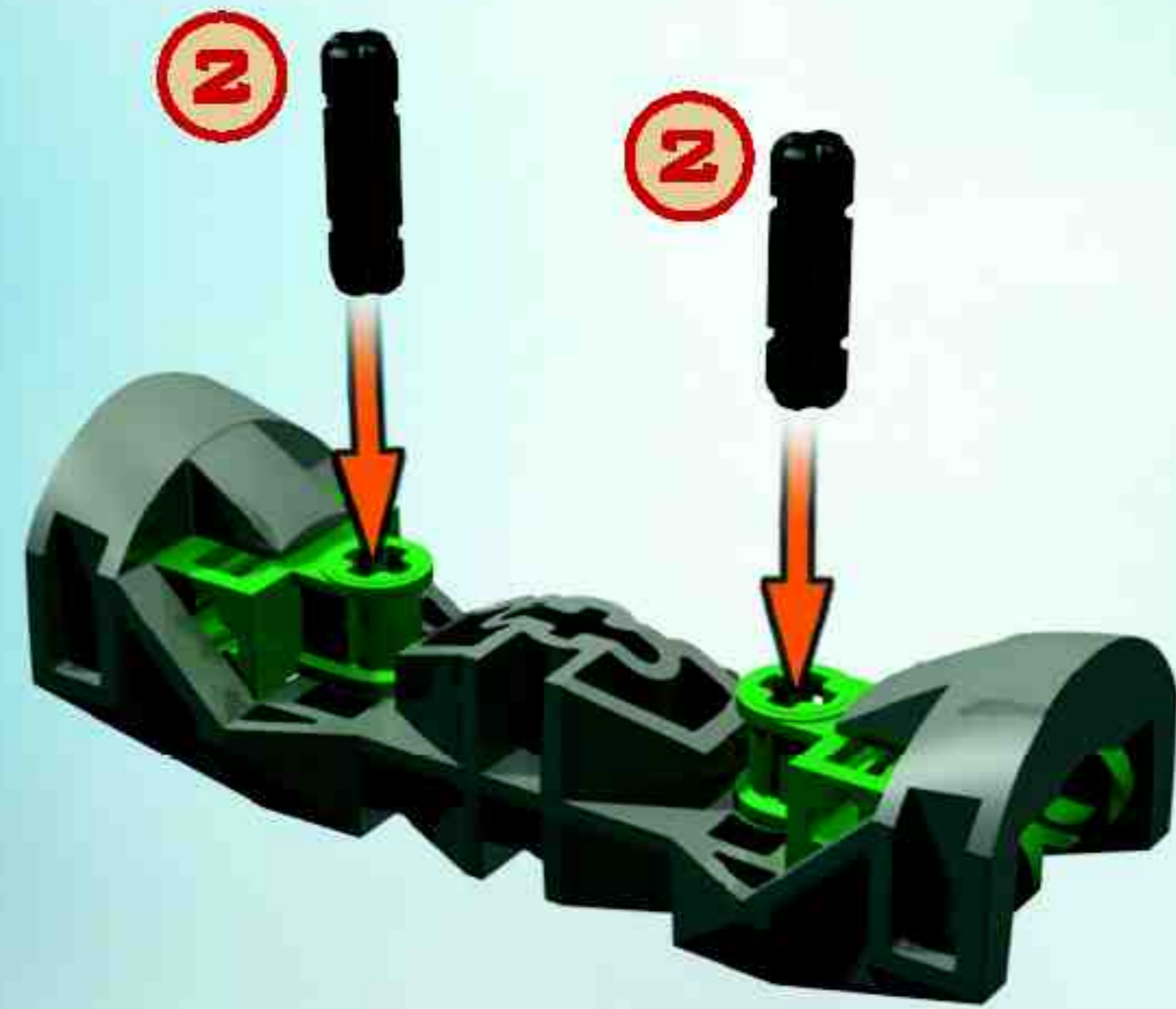
4



1



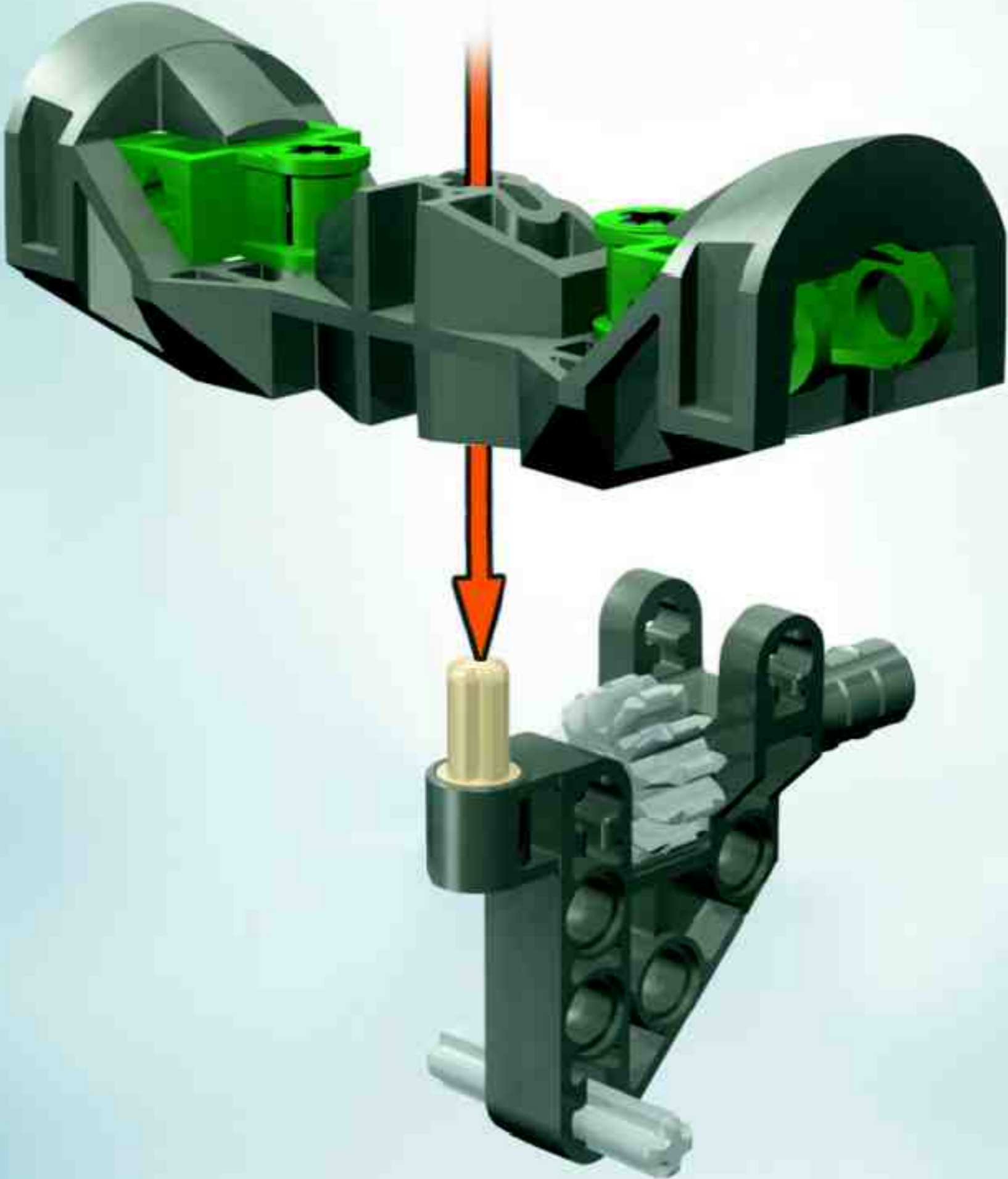
2



3

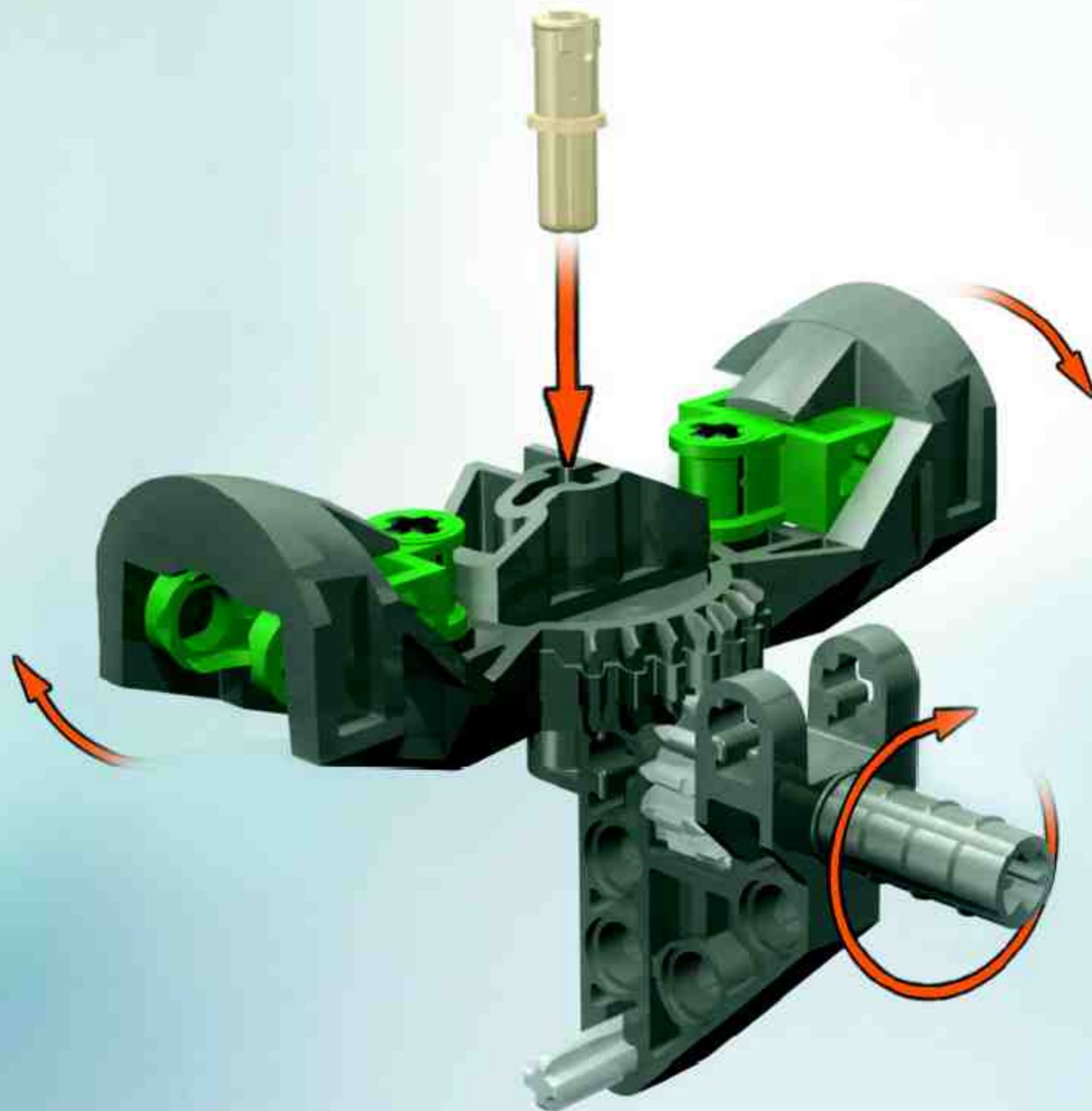


5

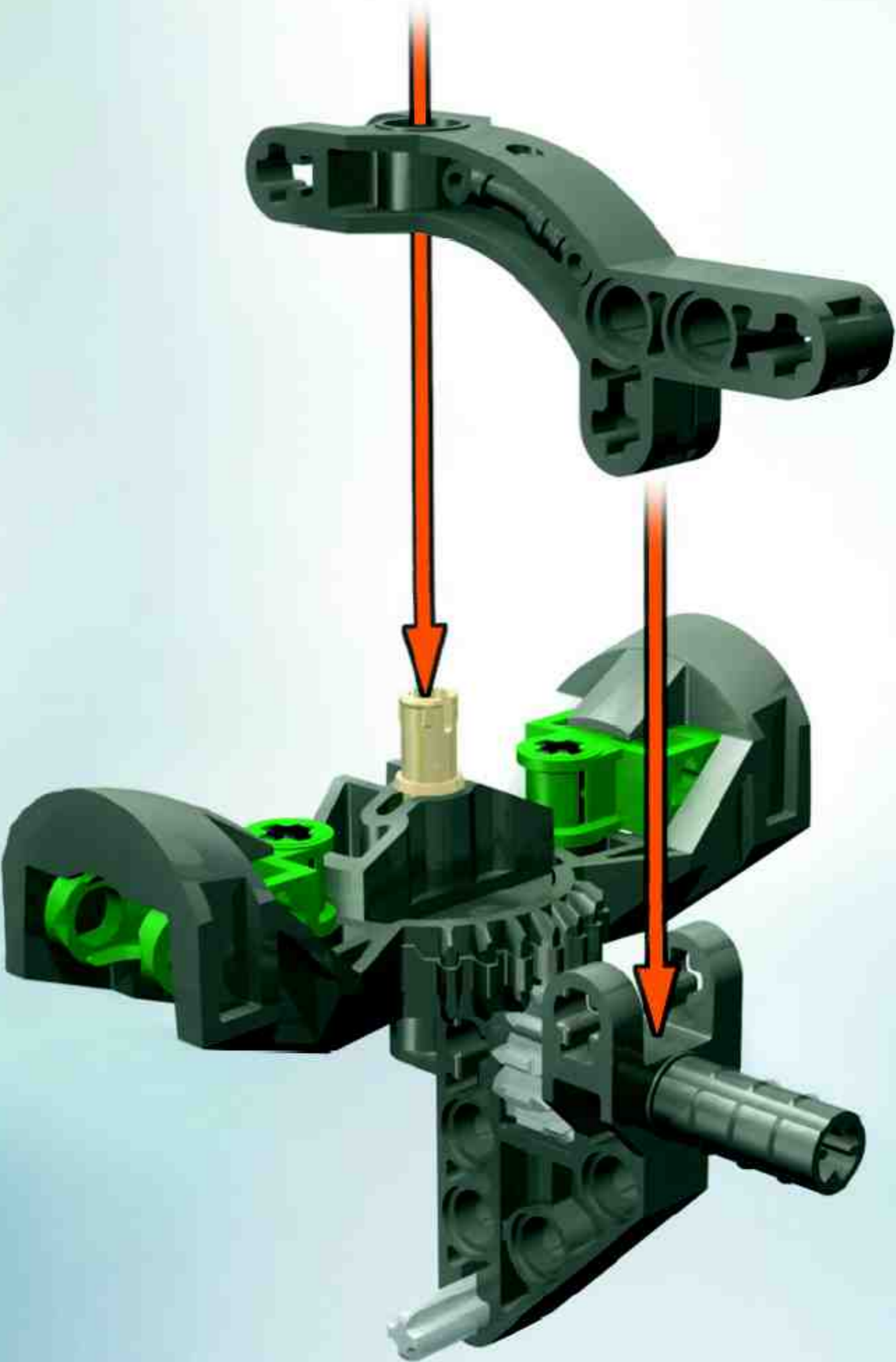




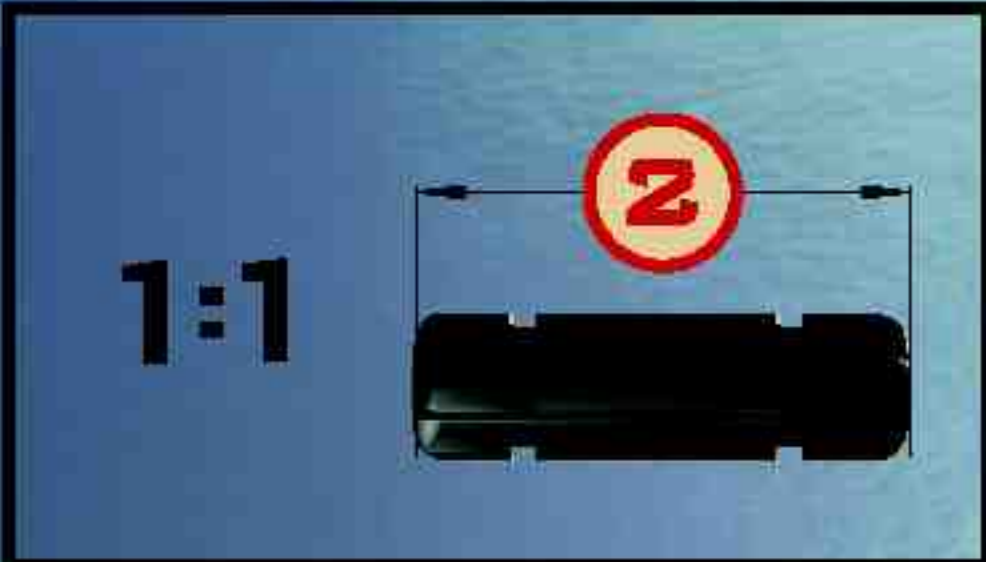
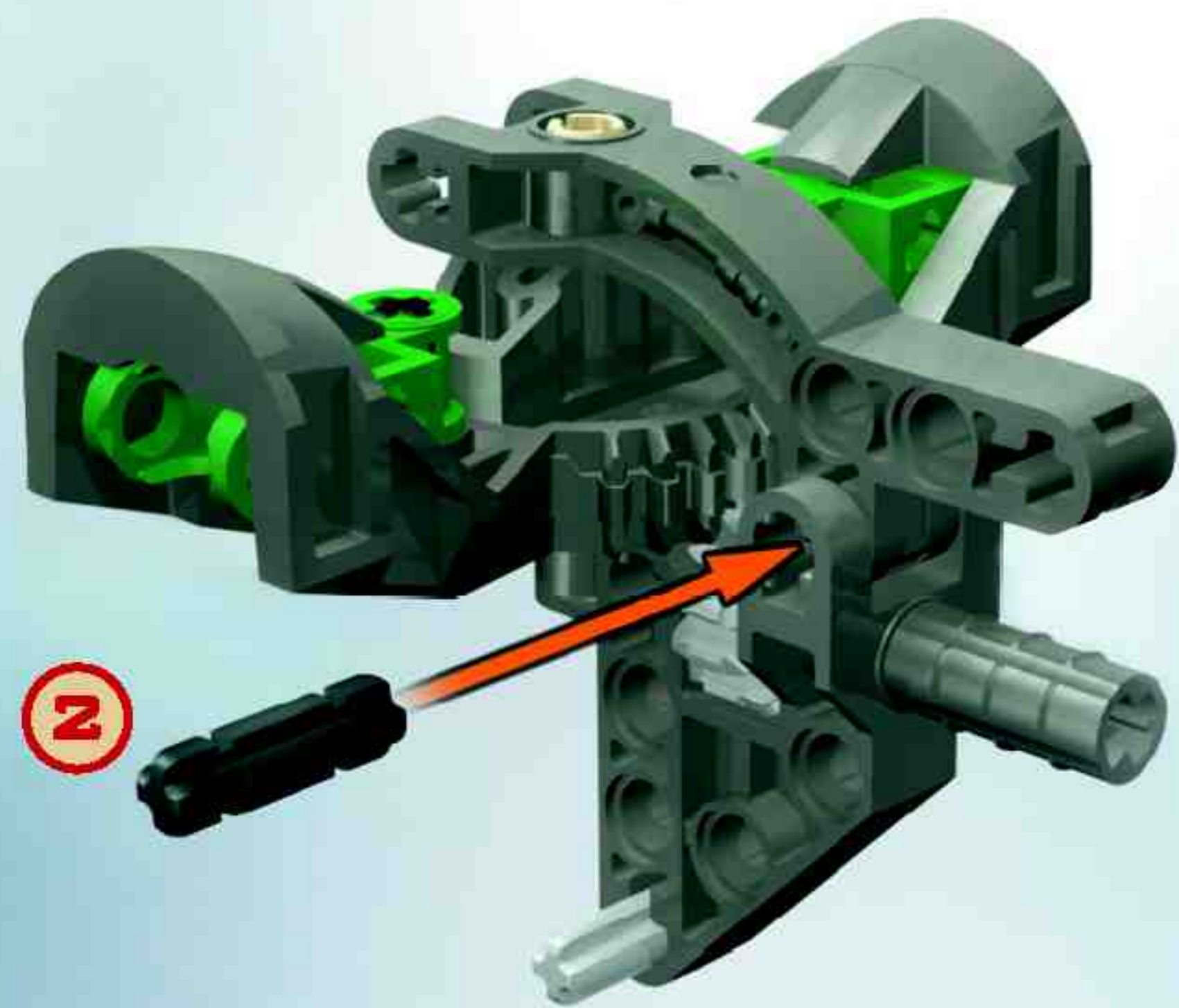
6



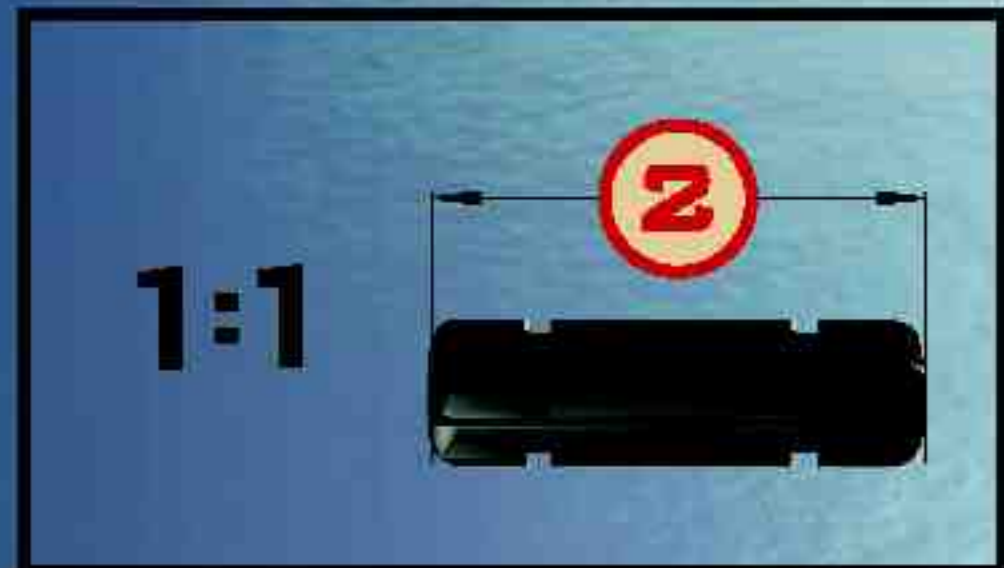
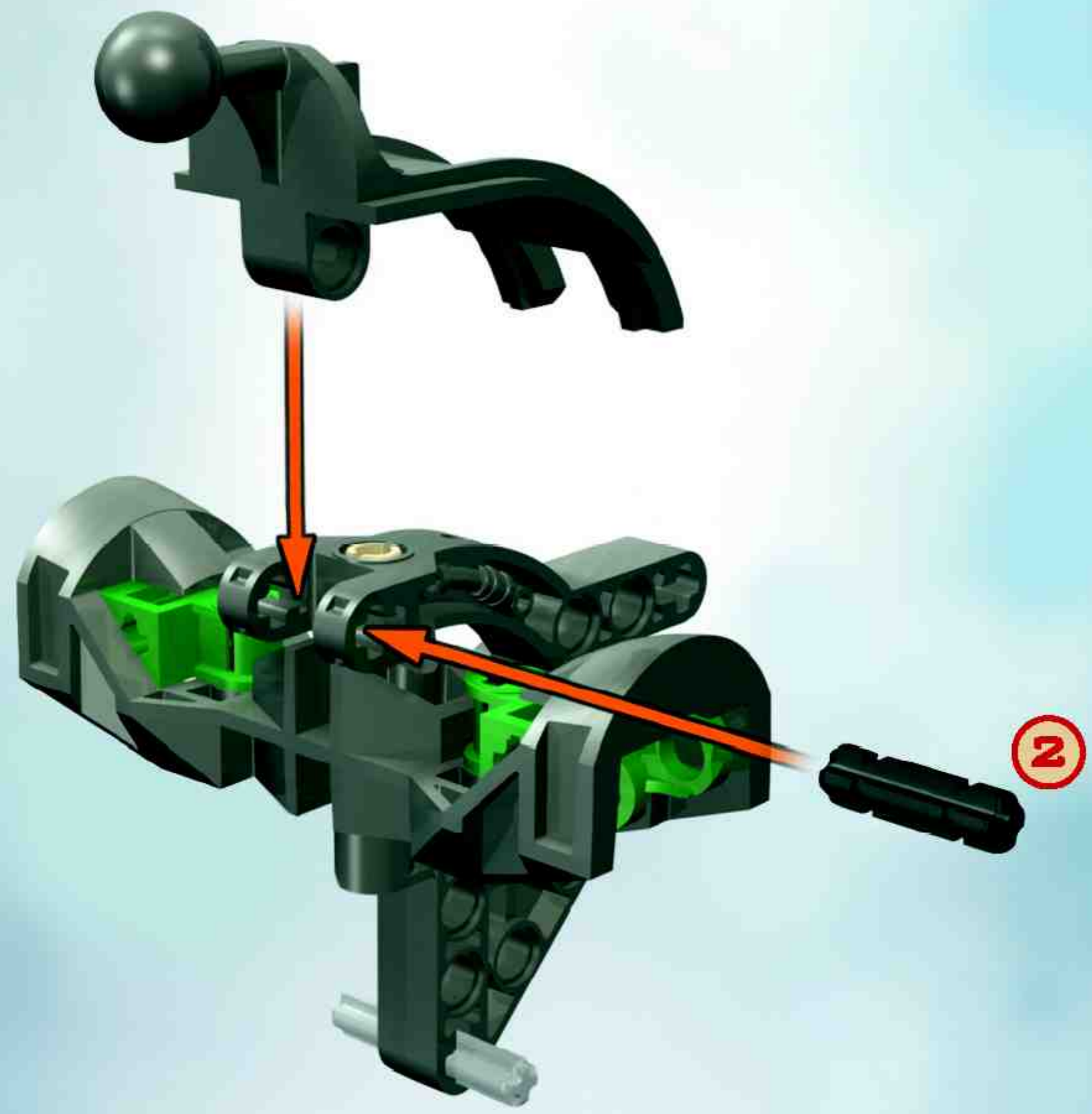
7



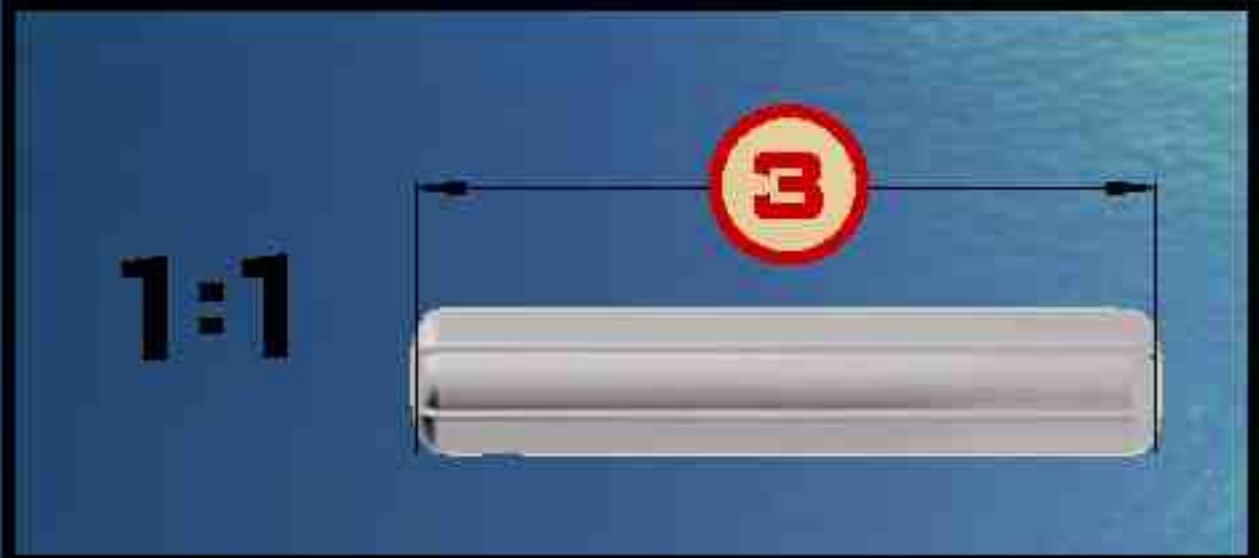
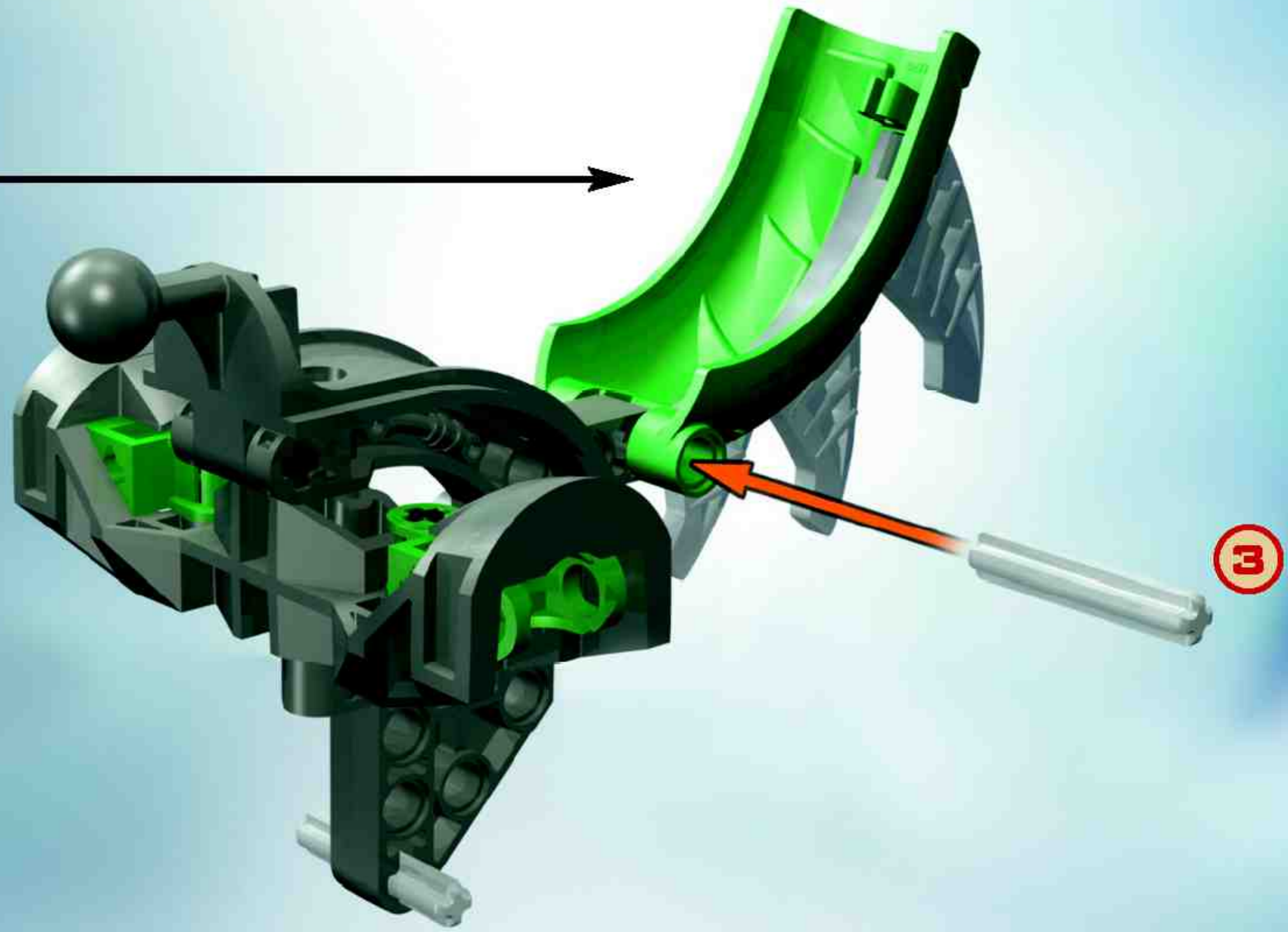
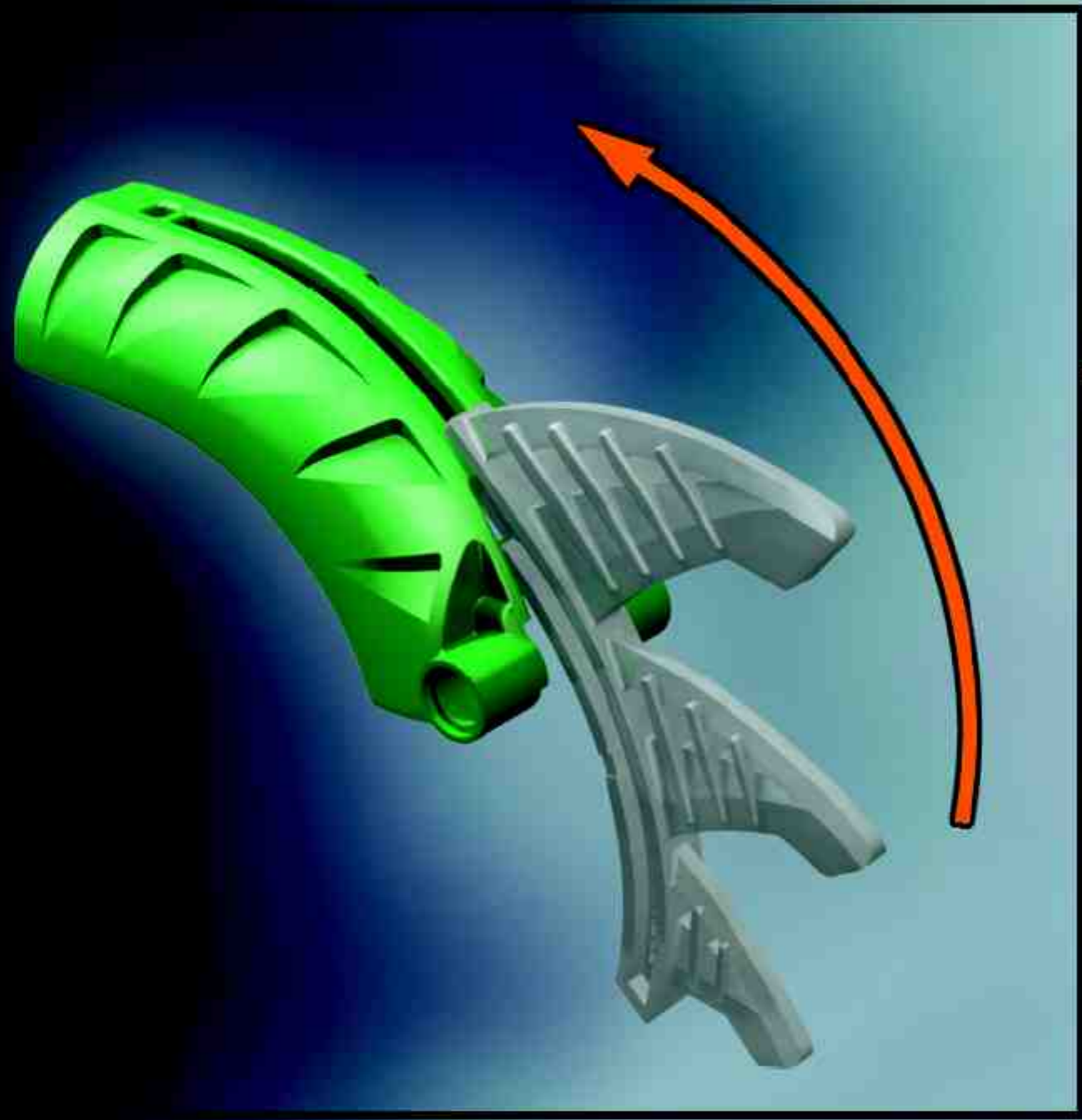
8



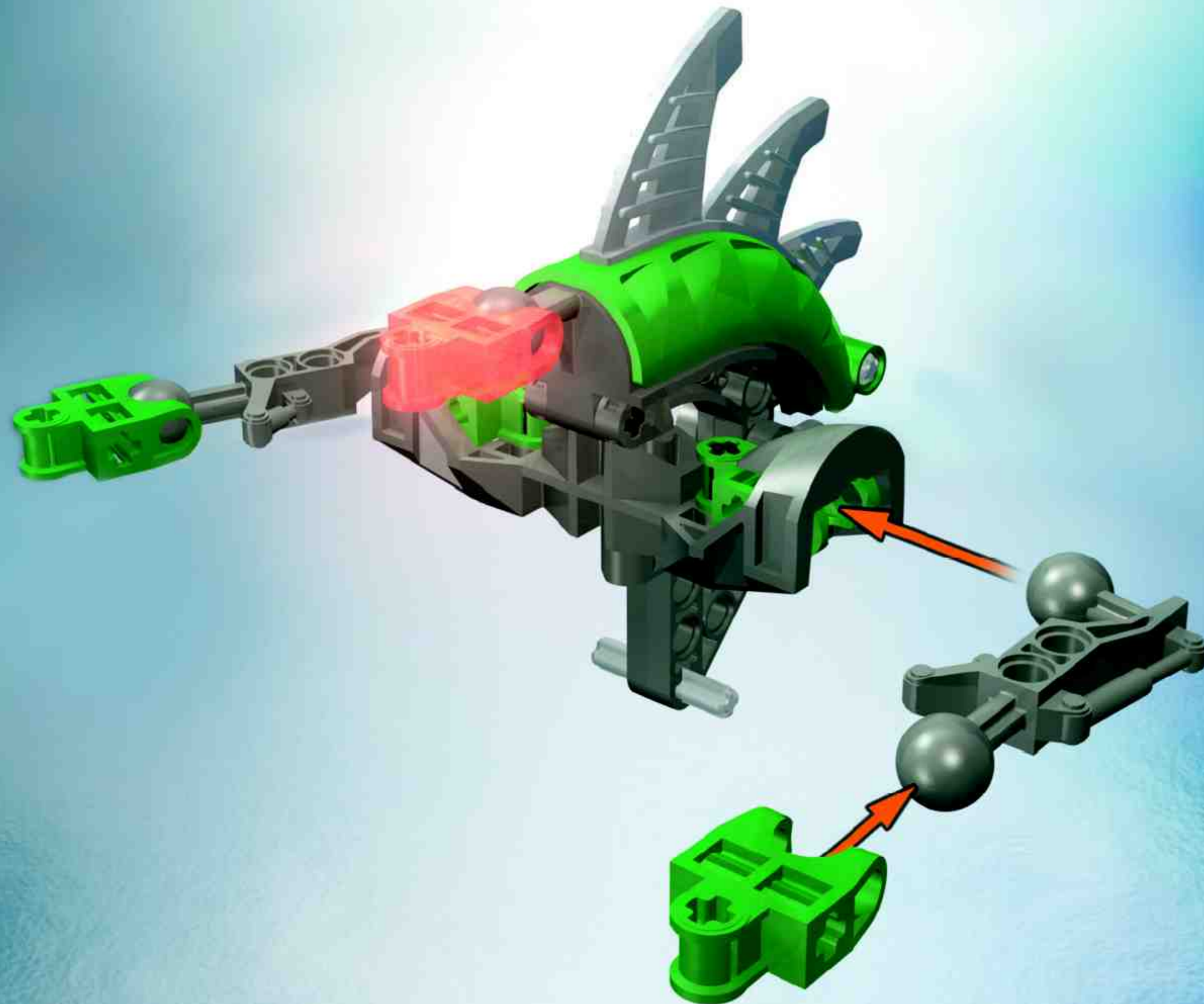
9



10











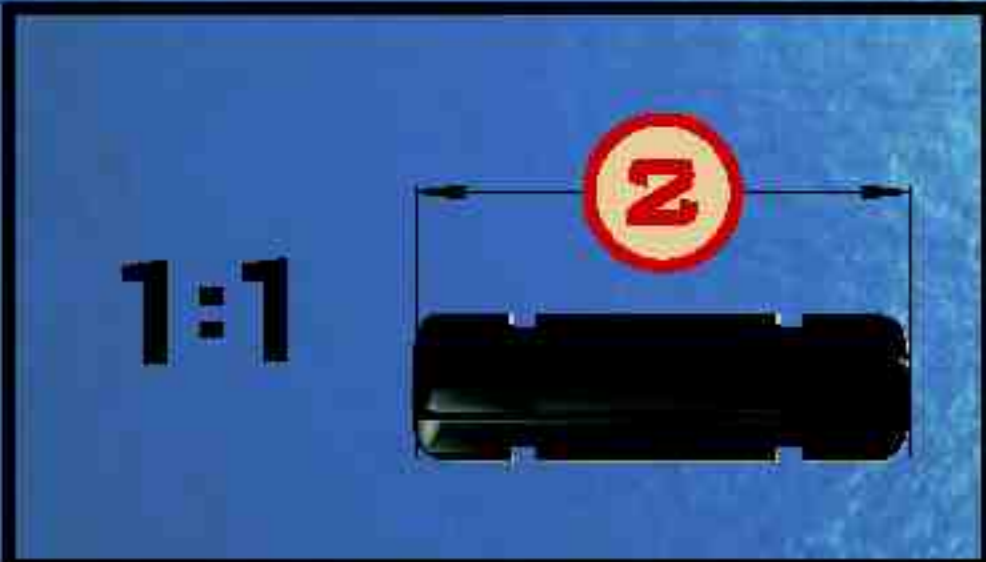




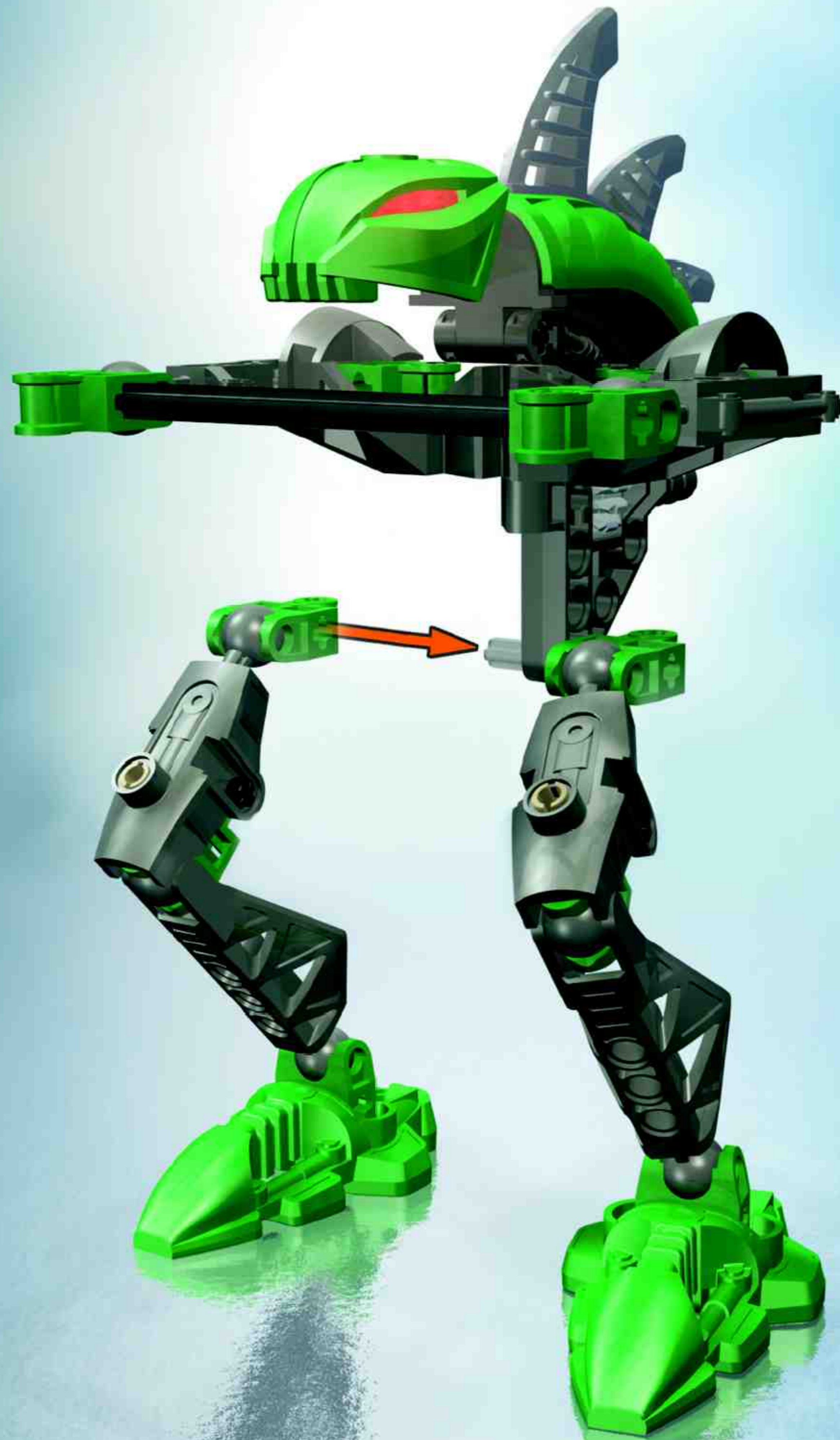




5



2x





1



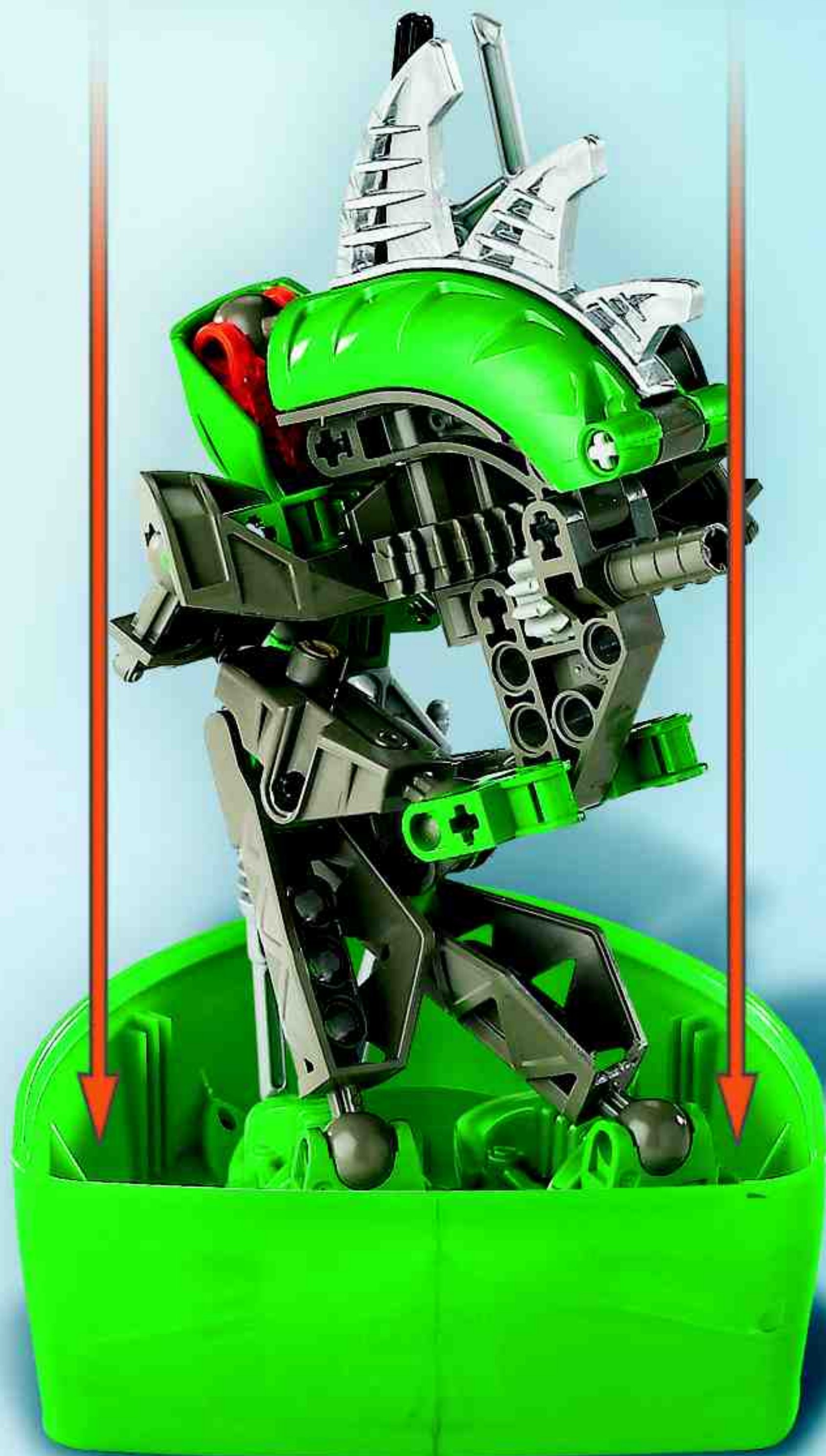
2







3



4





8589



8592



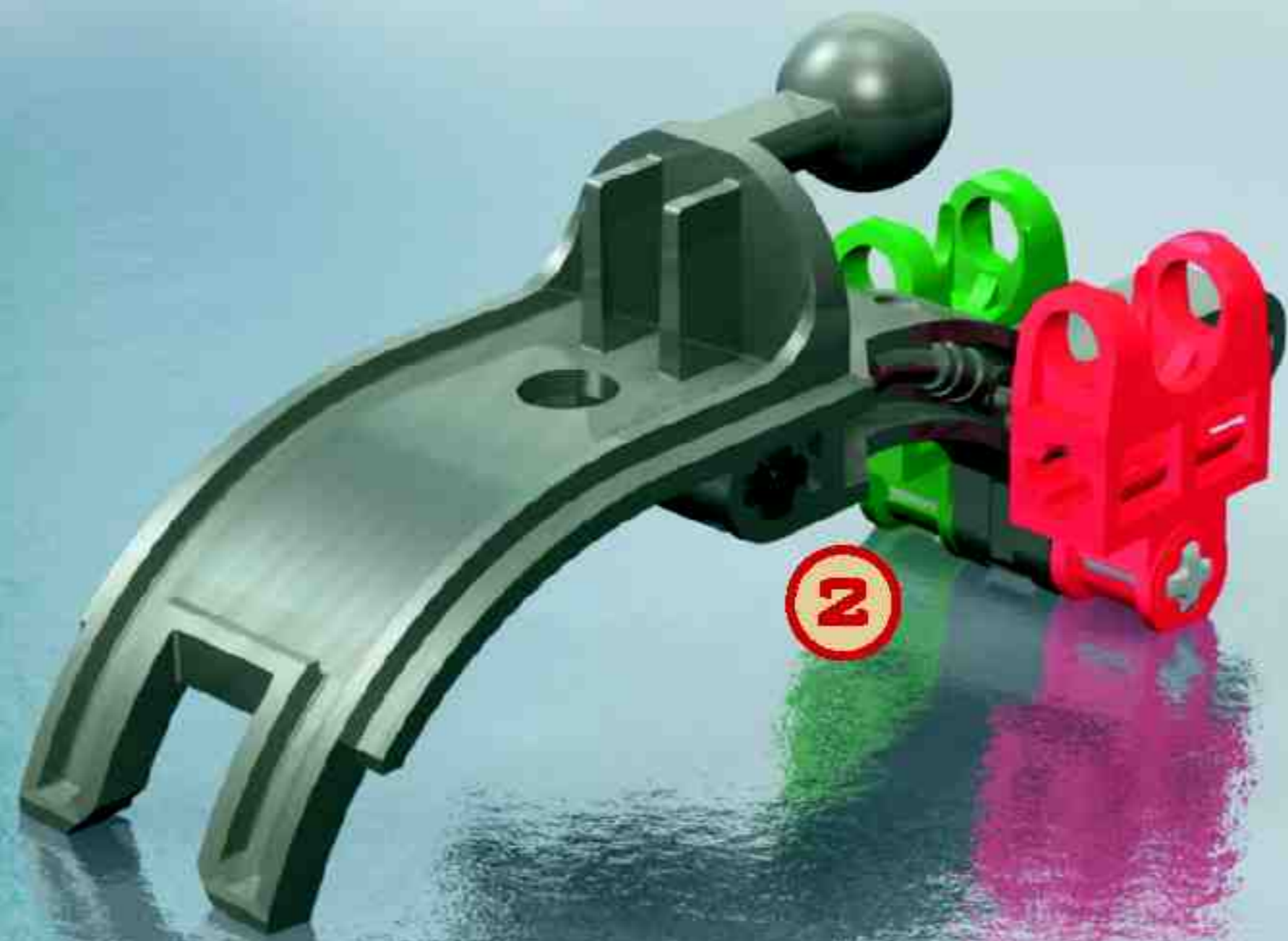
8588



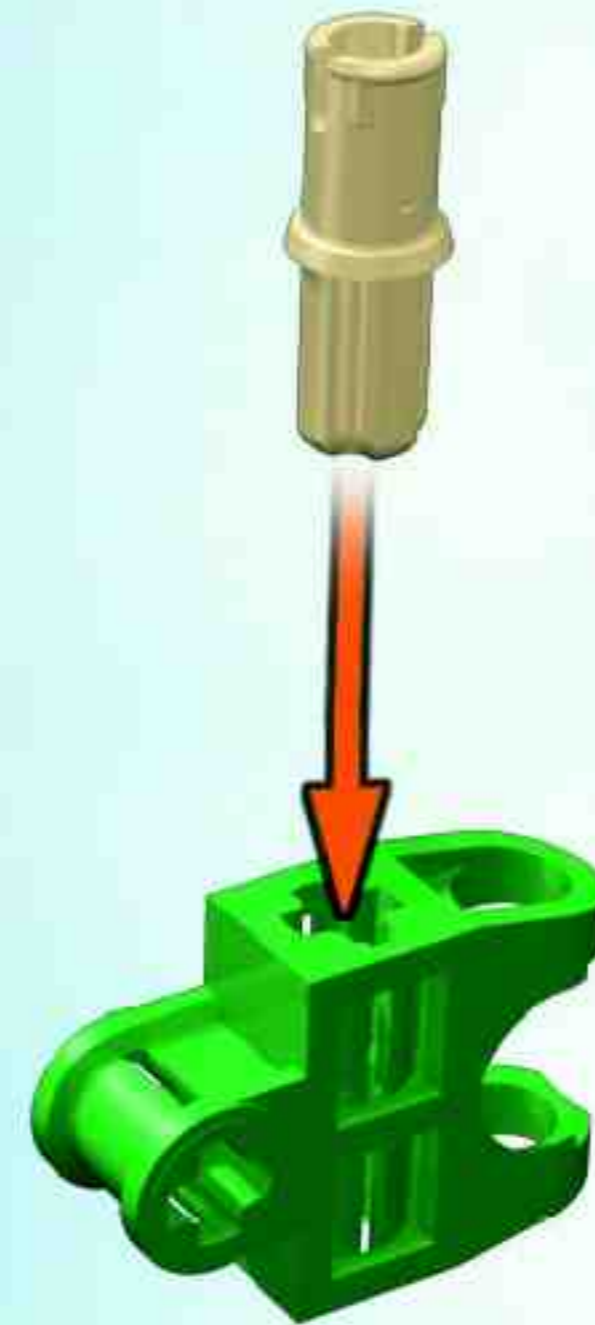
1



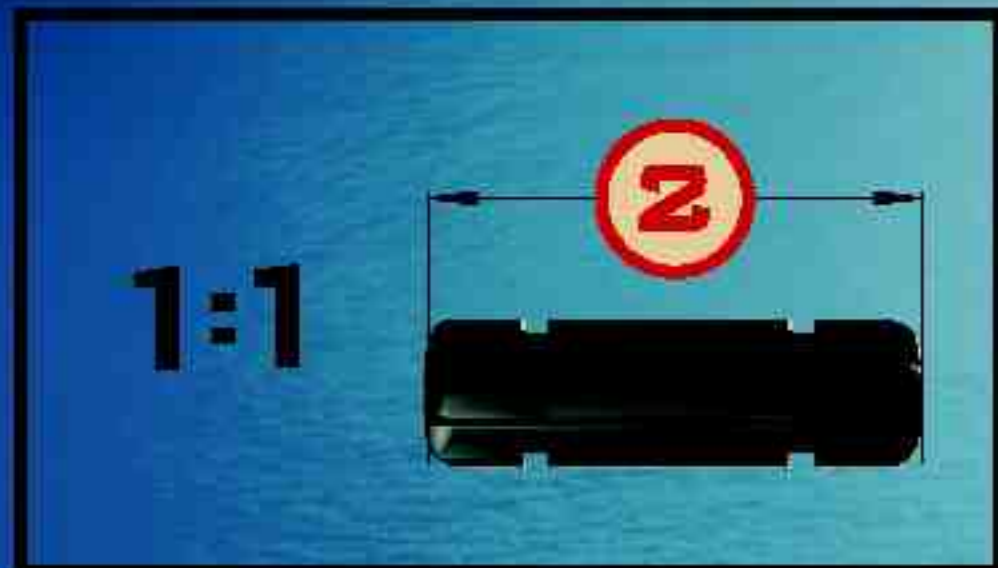
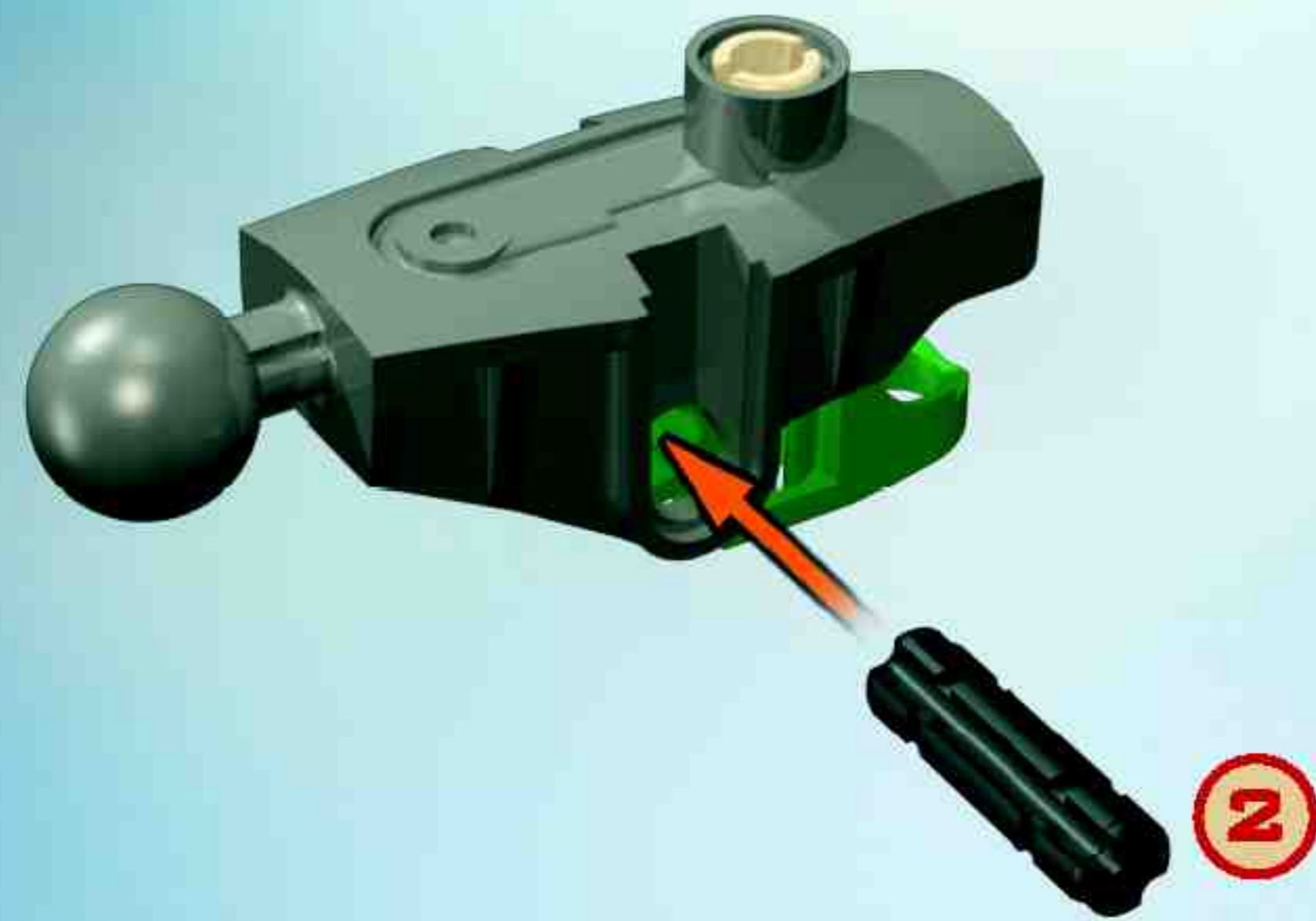
2



1



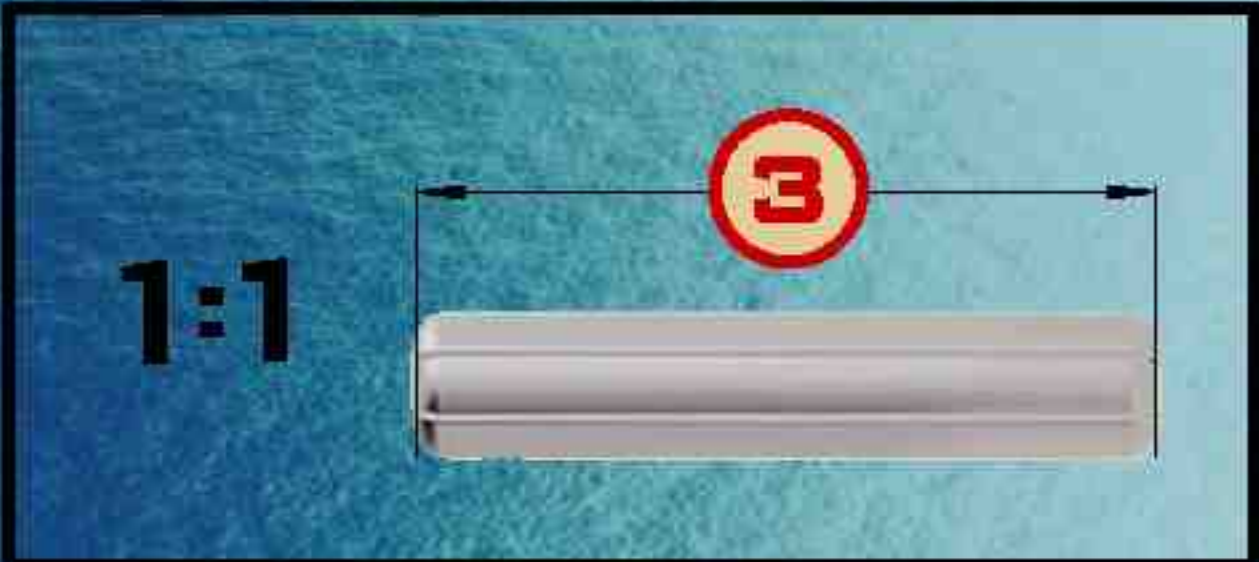
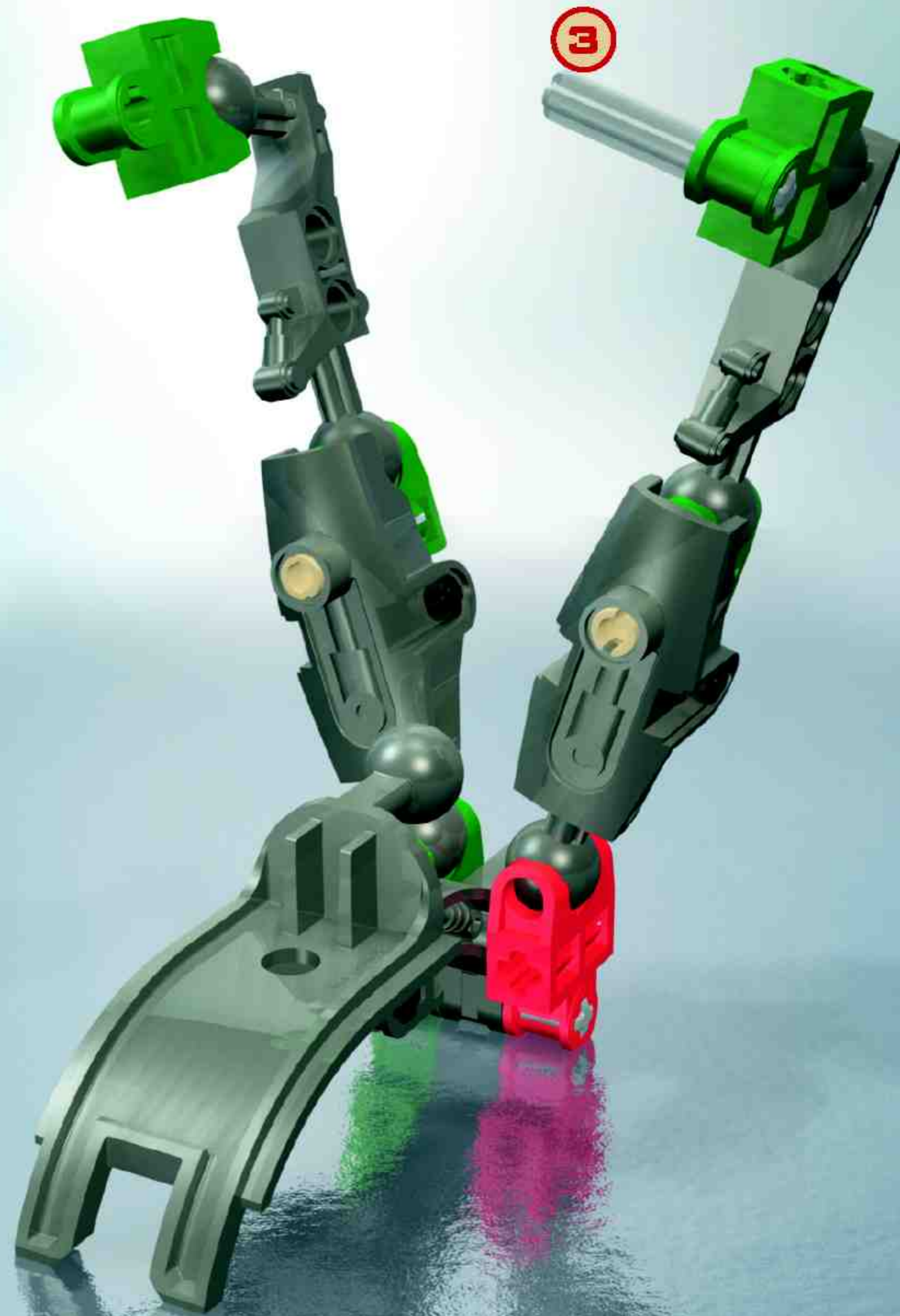
2

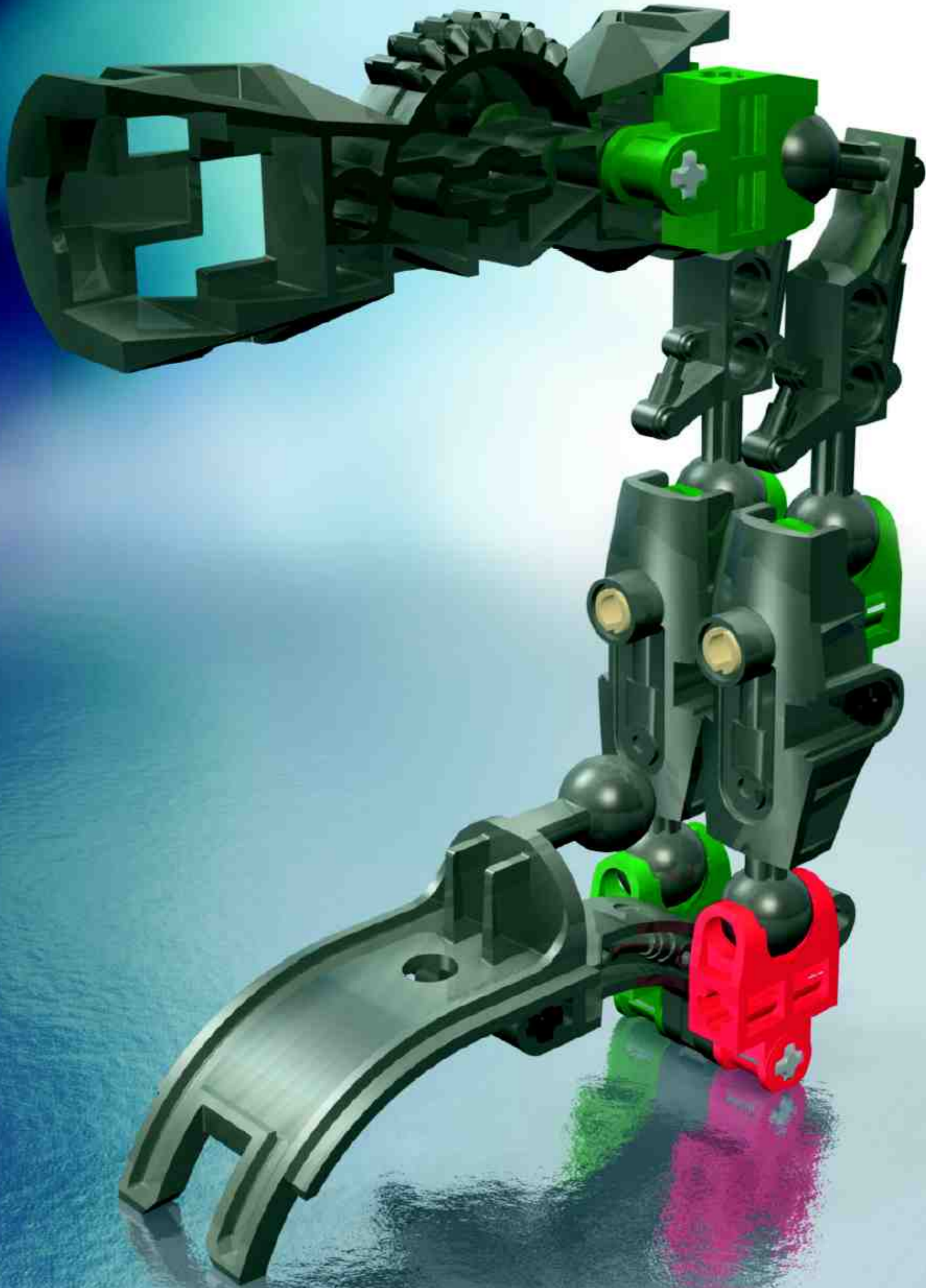


2x



4

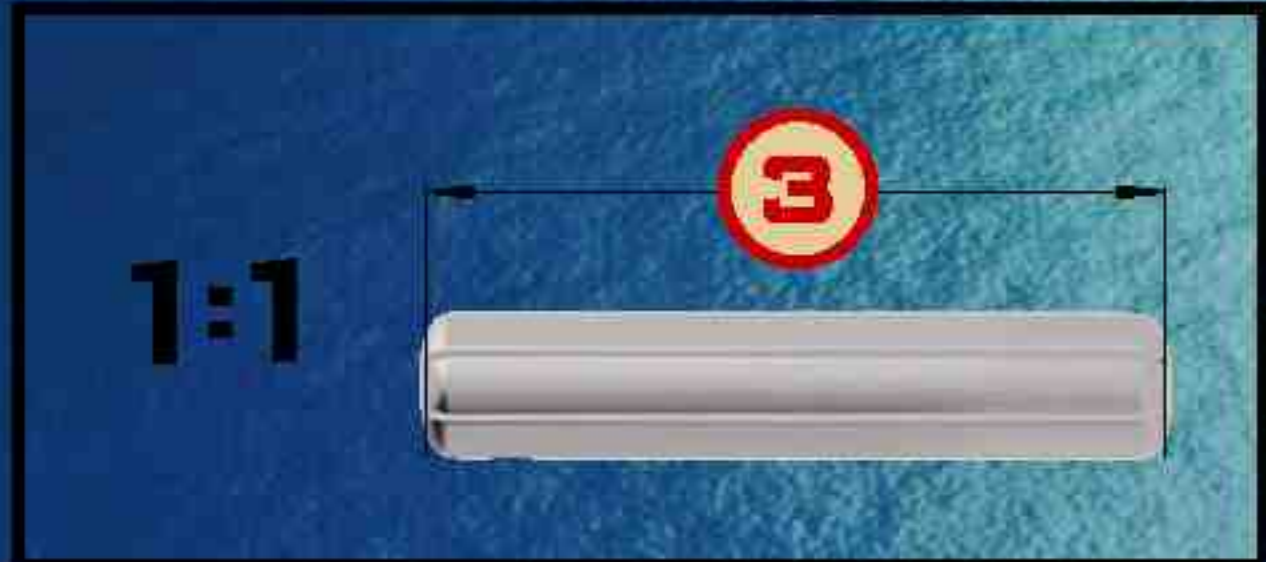
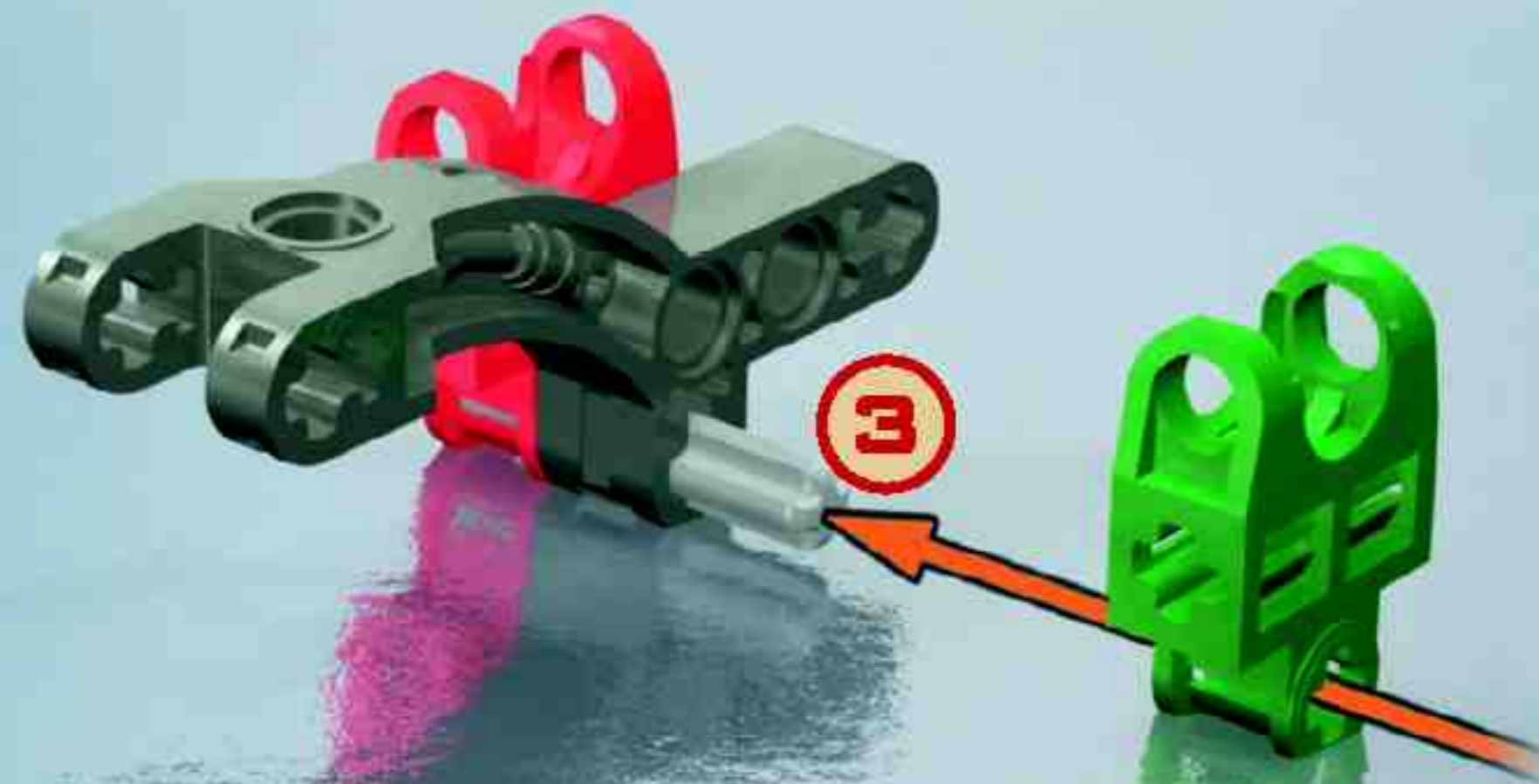








1

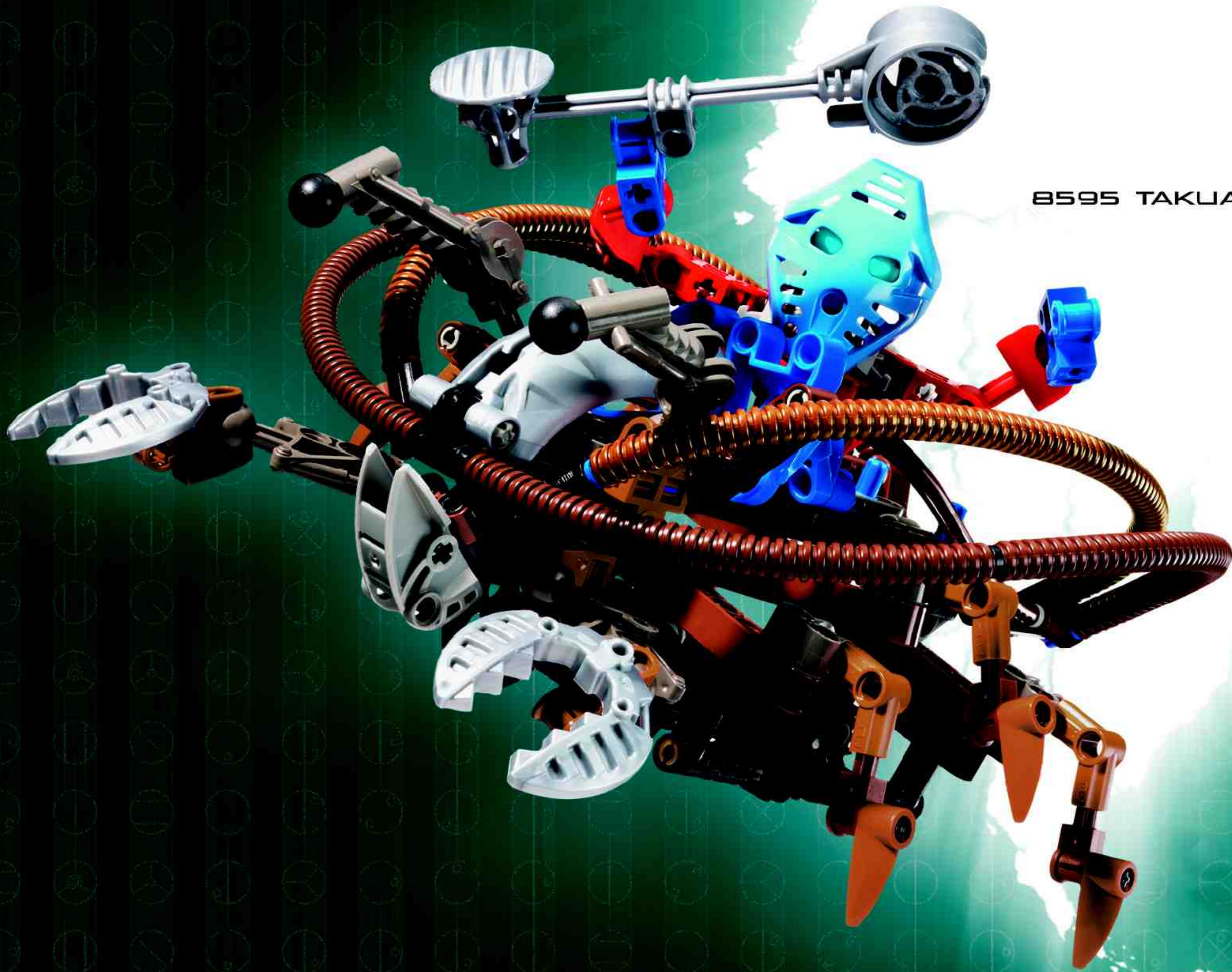




8596 TAKALUVA



8594 JALLER & GUKKO



8595 TAKUA & PEWKU



8593 MAKUTA

# BIONICLE™

[www.bionicle.com/videogames](http://www.bionicle.com/videogames)



PlayStation®2



NINTENDO  
GAMECUBE™



PC CD-ROM



# BIONICLE™

[www.maskoflight.com](http://www.maskoflight.com)

# BIONICLE

WWW.BIONICLE.COM



4204687

©2003 The LEGO Group.